



CisoLube
LUBRICATION SYSTEM



GP212 Multi-point lubrication system

Multi-point lubrication systems offer high capacity, smooth operation, low noise levels, low failure rates and simple installation and maintenance. It is designed for use in a wide range of stationary machines including tunnel boring, mining, rubber mixing equipment and a variety of high lubricant consumption machines.

GP212 Multi-Point Lubrication Pump

Centralized Pumps For Multiplexed Lubrication Systems And Large Cascade Systems

The GP-212 provides a large quantity of grease with up to 12 pump head units. The pump's modular design provides economy, ease of installation and maintenance, and eliminates the need for tubing to combine two or more pump elements.



It eliminates the need for tubing to combine two or more pump elements. Drive and Eccentric Shaft Design drive and eccentric shaft design, high efficiency worm gears, and low component count offer multiple advantages.

The pumps have a low failure rate, are simple to install and maintain, and are designed for use in demanding environments.

The pumps are designed for use in harsh environments including tunnel drilling, mining, rubber mixing equipment and a variety of stationary machines with high lubricant consumption.

The GP-212 multi-point lubrication pump is equipped with a high-power motor, and each of its pump heads allows simple and easy adjustment of the flow rate.

The storage tank has a capacity of 30L and is equipped with ultrasonic sensors for level control. The maximum working pressure is 350bar, and it can work efficiently in the temperature range of -20 ~ +70°C.



GP212 Multi-Point Lubrication Pump

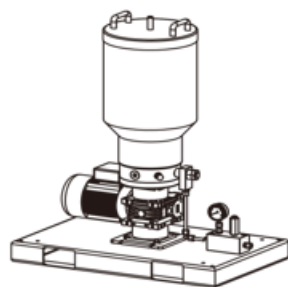
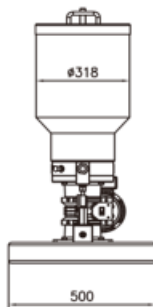
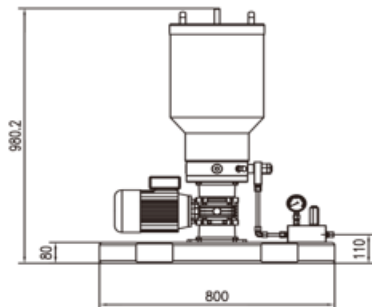
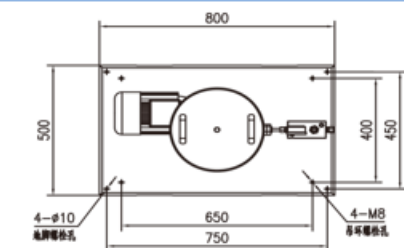
Product Advantages

- Discharge volume can be set individually for each lubrication point
- Broad dosage, high pump element output, no element crossover required.
- High pressure, maximum working pressure 35Mpa.
- Real-time monitoring of the operating status of each lubrication point.
- Modularized design
- Simple maintenance
- Ruggedized for efficient operation in harsh environments
- Green cleaning, precise lubrication and thus reduced grease consumption.

Basic Technical Parameter

Unit of pump outlets	1-12个
Displacement per outlet KR12	500-1500ml/h (adjustable) @50Hz
Maximum pressure	35MPa Max.
Drum	30L/Can be equipped with a mechanical level indicator
Electrical machinery	0.75KW
Electrical connection	220VAC/380VAC/660VAC
Protection class	IP55
Lubricant	up to NLGI3#
Reduction ratio	60: 1
Explosion-proof grade	EXdIIBT4

Product Size



Ordering information:

GP212 -

01	KR12	8	YN	8	CEB	-	00	F0	0
----	------	---	----	---	-----	---	----	----	---

<p>Number of outlets (1-12 outlets optional)</p> <p>01=1 oil outlet 02=2 oil outlets 03=3 oil outlets 04=4 oil outlets And so on</p>	
<p>Plunger Type</p> <p>KR12=500-1500ml/h (adjustable)</p>	
<p>Input Voltage</p> <p>6=220VAC 8=380VAC 9=660VAC</p>	
<p>Motor Specifications</p> <p>YN=Ordinary three-phase motor EX=Explosion-proof motors EXM=Explosion-proof motors with coal safety certification</p>	
<p>Motor Voltage</p> <p>6=220VAC 8=380VAC 9=660VAC (without control)</p>	
<p>Type of control box</p> <p>XXX=not have CEB=Standard control box BSG=Explosion-proof control box</p>	
<p>Level Function Configuration</p> <p>00=No liquid level 01=Ultrasonic level meter (not applicable to explosion-proof) 02=High/Low Level Switches (for Ex) 03=Mechanical visual low level (both applicable)</p>	
<p>Valve Block Type</p> <p>X=Without outlet block (reserved for G3/8 female thread) F0=Standard valve block (with pressure gauge and safety valve) F1=Configuration pressure switch F2=Configuration of pressure sensors</p>	
<p>Outlet Connector Type</p> <p>0=Without outlet connector (reserved G1/4 female thread) 1=φ6Straight Through Fittings 2=φ8Straight Through Fittings 3=φ10Straight Through Fittings</p>	



Standard pumps

Equipped with control box



Equipped with explosion-proof motor and explosion-proof control box

CISO

LUBRICATION SYSTEM

烟台西索润滑技术有限公司

Yantai Ciso Lubrication Technology Co.,Ltd

山东省烟台市高新区纬三路30号

Tel:400-800-9400

烟台西索润滑技术有限公司长沙分公司

Changsha Office

湖南省长沙市开福区福元西路220号英祥苑二期1、2栋1505

Tel:0731-84481381 Fax:0731-84481381



MADE IN CHINA



www.cisolube.com